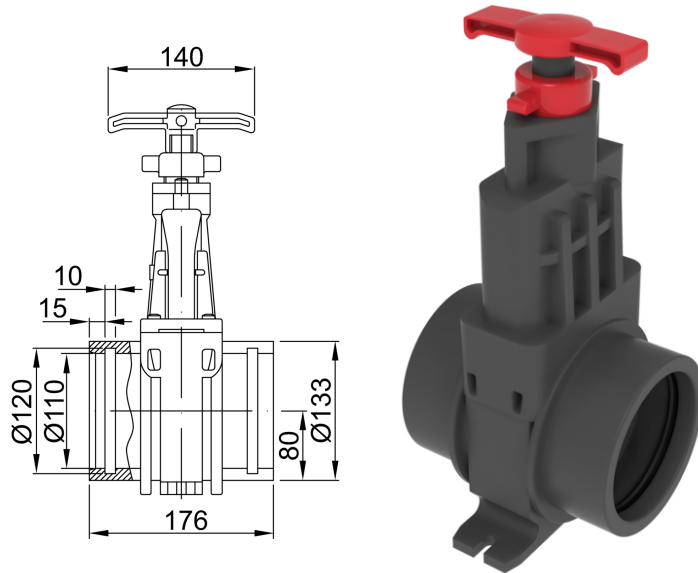


Inlet valve DN 100

Product information



Used with

- Wastewater lifting plant
- Polyethylene grease separator
- Polyethylene starch separator
- Upstream tank plant
 - Typ 2 and 4
- LipuMobil-P – Type 0.5

Description

- Made of PVC
- 110 mm push socket on both sides with rim sealing ring
- Overall dimensions: 176 x 330 mm (L x H)