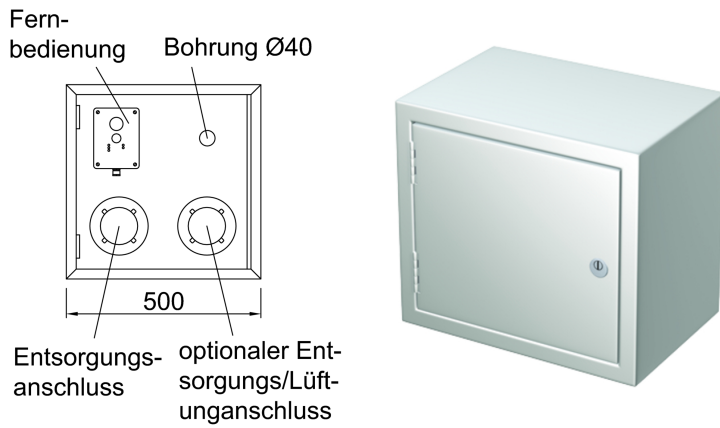


Connection box

Product information



Used with

- Grease separators
- Starch separators
- LipuLift-P-D/-DA/-DAP

Description

- For evacuation connection and remote control
- Made from stainless steel, material grade 304
- Fixing: "On wall"
- Dimensions (width x height x depth): 500 x 500 x 160 mm