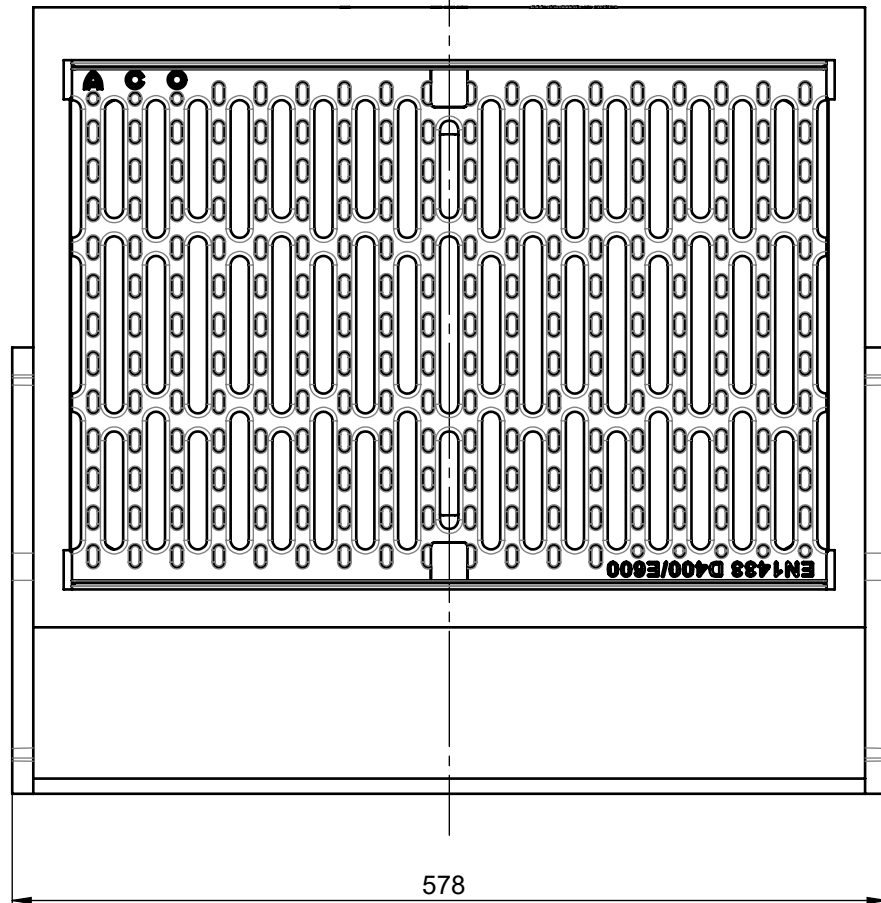
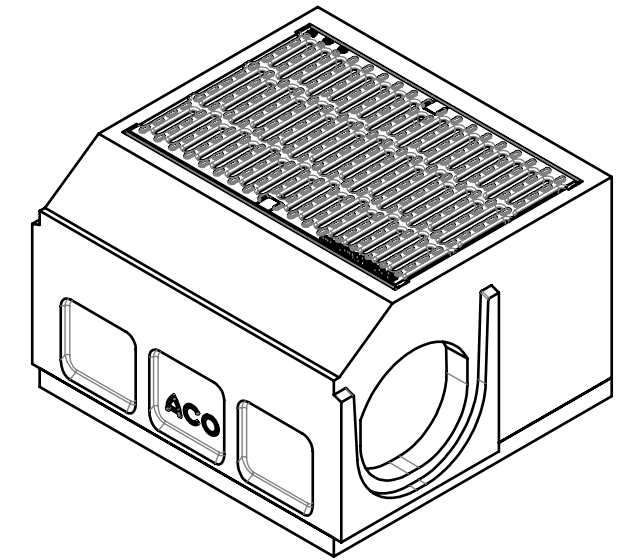
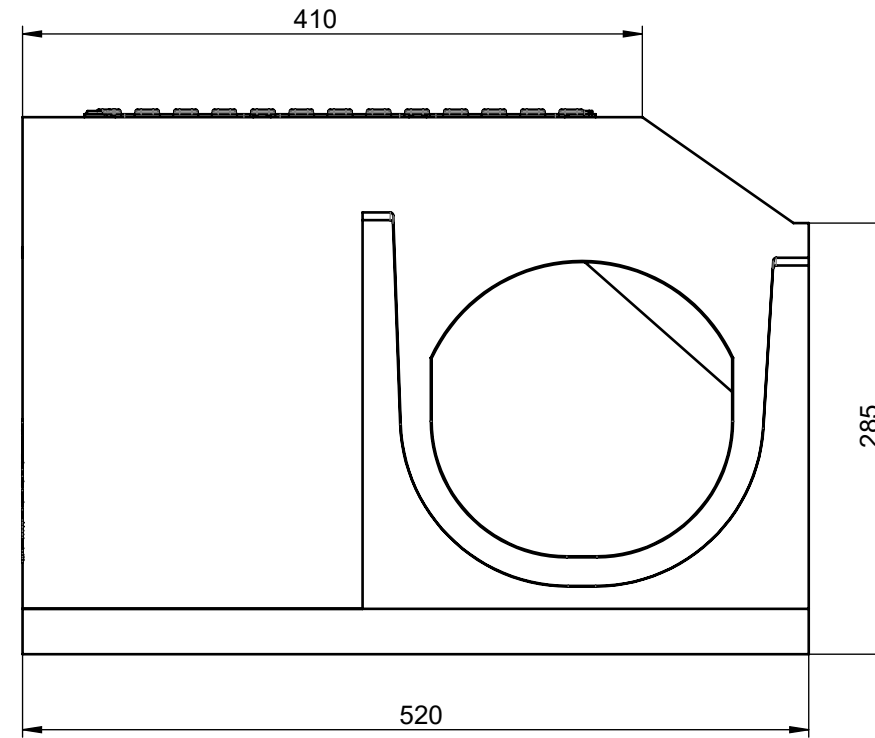
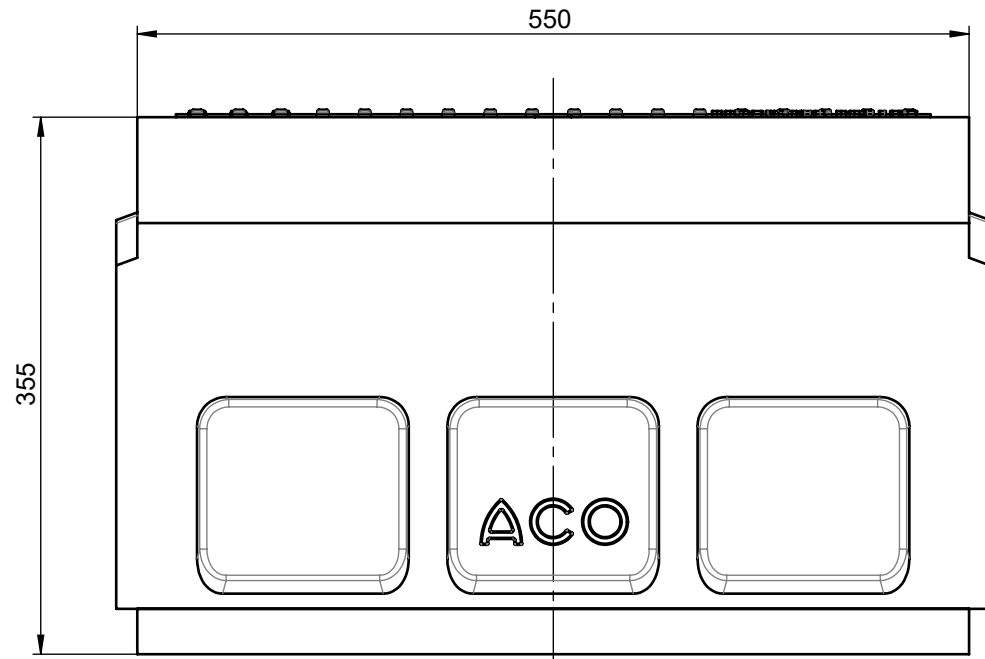

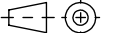


SCALE 1 : 10



material number: 3002545  
local article number: 299159

 ACO Ahlmann SE & Co. KG Am Ahlmannkai 24782 Büdelsdorf www.aco.com	drawing-no.: <b>1112497-M</b>	index: <b>003</b>	documenttype: marketing drw.	
	created by: rshetty	reviewed by: rshetty	projection:ISO-E 	scale: 1:5
title: ACO Kerb drain 299159-KD200 FB Revi DN200 299159-KD200 FB Revi DN200			serial-released	
The reproduction, distribution and utilization of this document as well as the communication of its contents to others without express authorization is prohibited. Offenders will be held liable for the payment of damages. All rights reserved in the event of the grant of a patent, utility model or design. Observe copyright by ISO 16016			release date: 30.08.2022	sheet: 1/1

S:\projekte\2019\08\_13\_Vertrieb\22