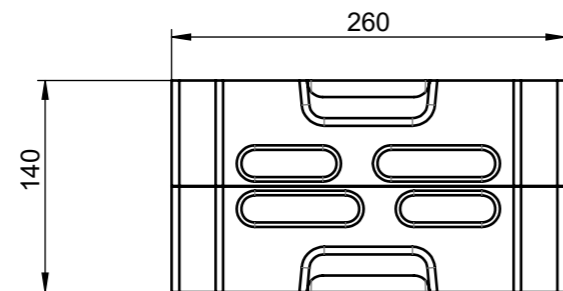
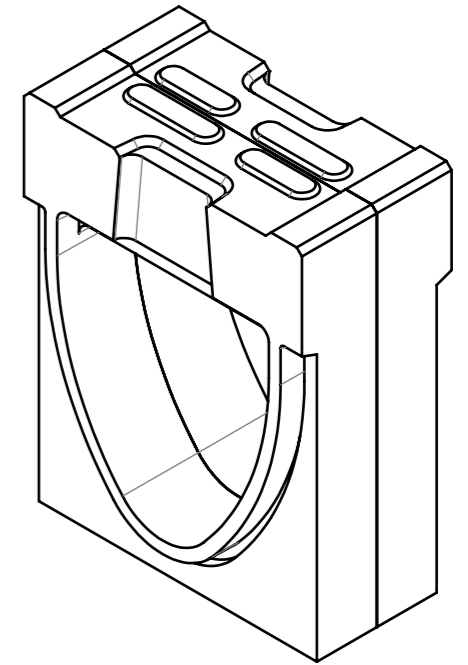
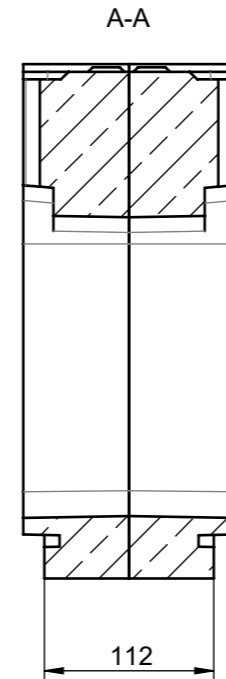
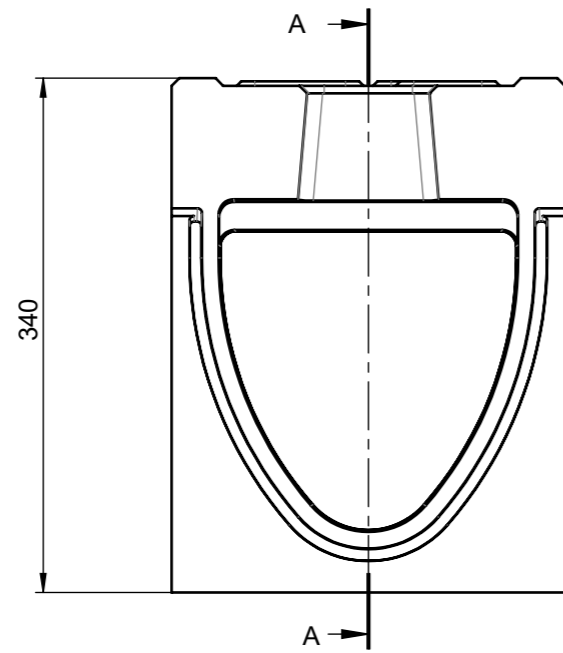

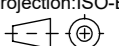


SCALE 1 : 5



material number: 2003265

local article number: 132508

 ACO Ahlmann SE & Co. KG Am Ahlmannkai 24782 Büdelsdorf www.aco.com	drawing-no.: 1077879-M	index: 002	documenttype: marketing drw.
	created by: rshetty	reviewed by: rshetty	projection: ISO-E 
title: Monoblock D400 132508-RD200VmD 0.0 Direction change adapter, Natural 132508-RD200VmD Fließrichtungswchsel			serial-released
The reproduction, distribution and utilization of this document as well as the communication of its contents to others without express authorization is prohibited. Offenders will be held liable for the payment of damages. All rights reserved in the event of the grant of a patent, utility model or design. Observe copyright by ISO 16016			release date: 31.08.2022
			sheet: 1/1

S:\projekte\2019\081_A3_Vertrieb\22