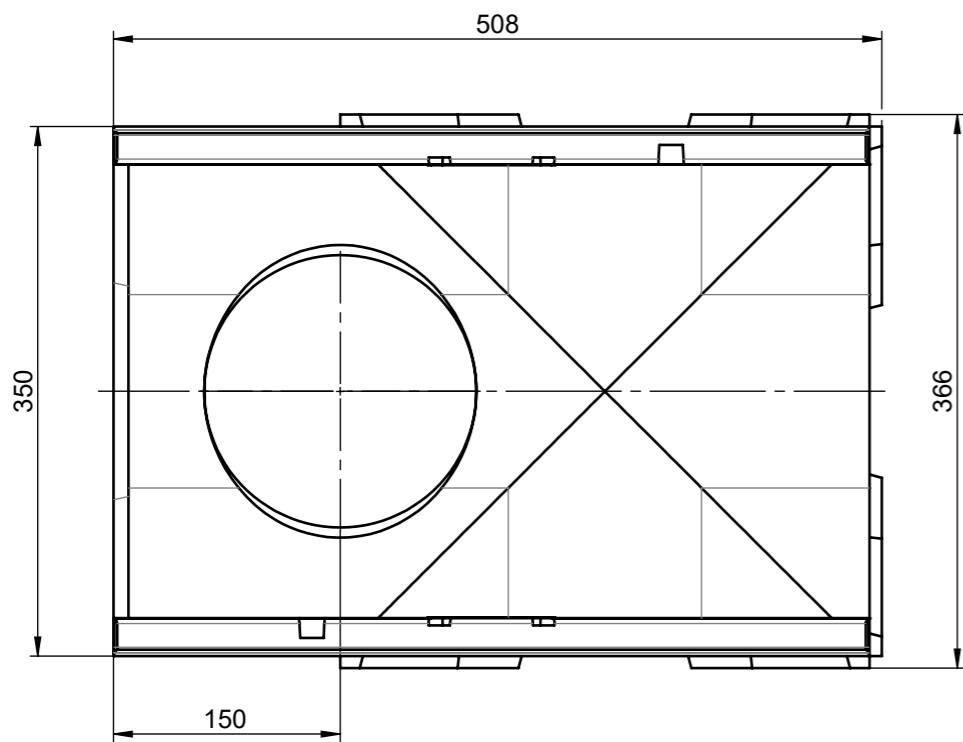

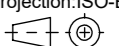


SCALE 1 : 10



material number: 2004530
local article number: 13732

 ACO Ahlmann SE & Co. KG Am Ahlmannkai 24782 Büdelsdorf www.aco.com	drawing-no.: 1063148-M	index: 002	documenttype: marketing drw.
	created by: rshetty	reviewed by: rshetty	projection:ISO-E 
title: Multiline Channel V300G 0.5m 0.1 Rinne V300G 0,5m 0.1			serial-released
<small>The reproduction, distribution and utilization of this document as well as the communication of its contents to others without express authorization is prohibited. Offenders will be held liable for the payment of damages. All rights reserved in the event of the grant of a patent, utility model or design. Observe copyright by ISO 16016</small>			release date: 07.09.2022
			sheet: 1/1