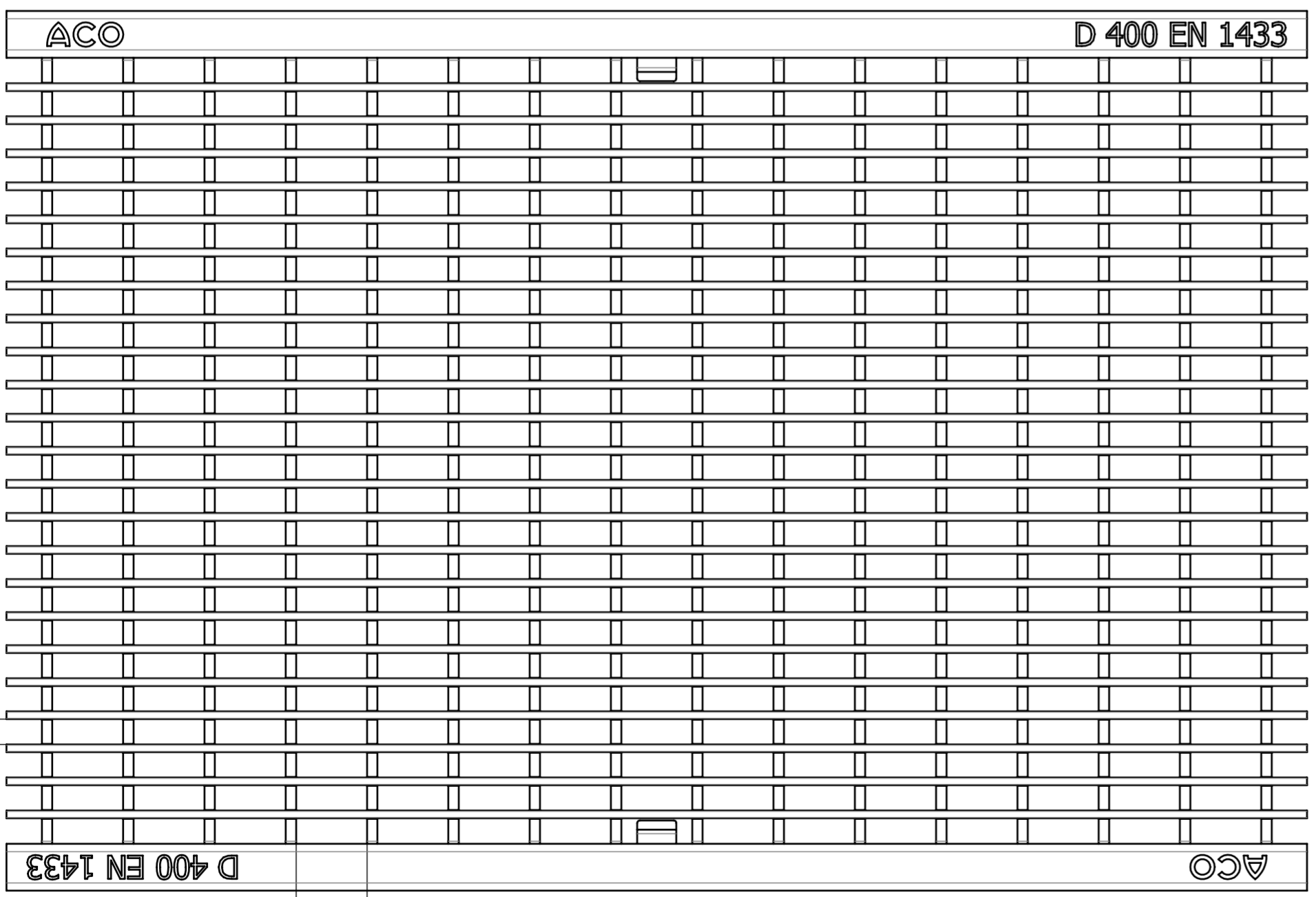
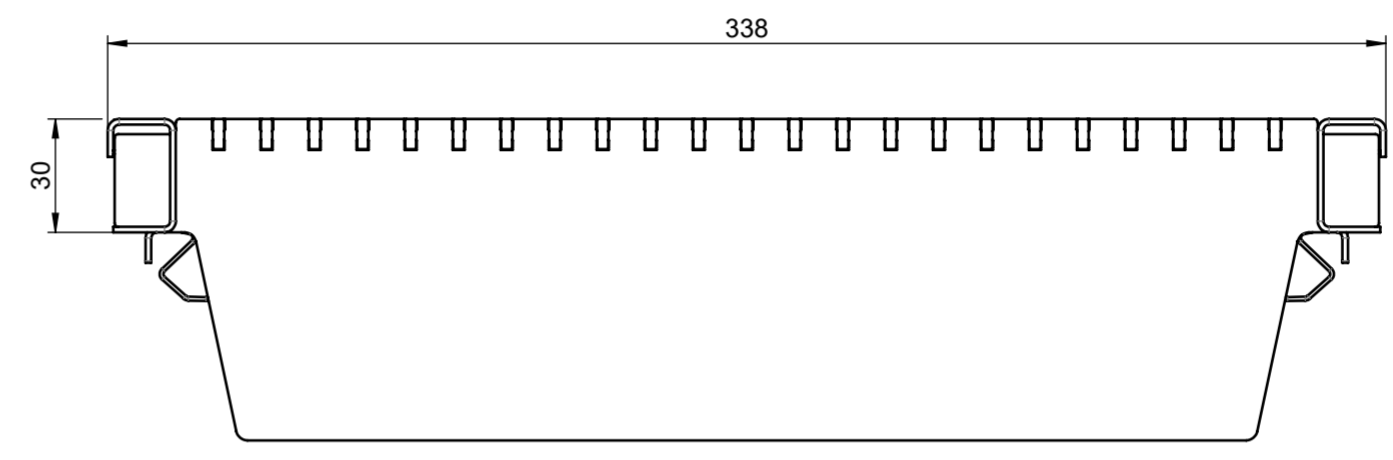
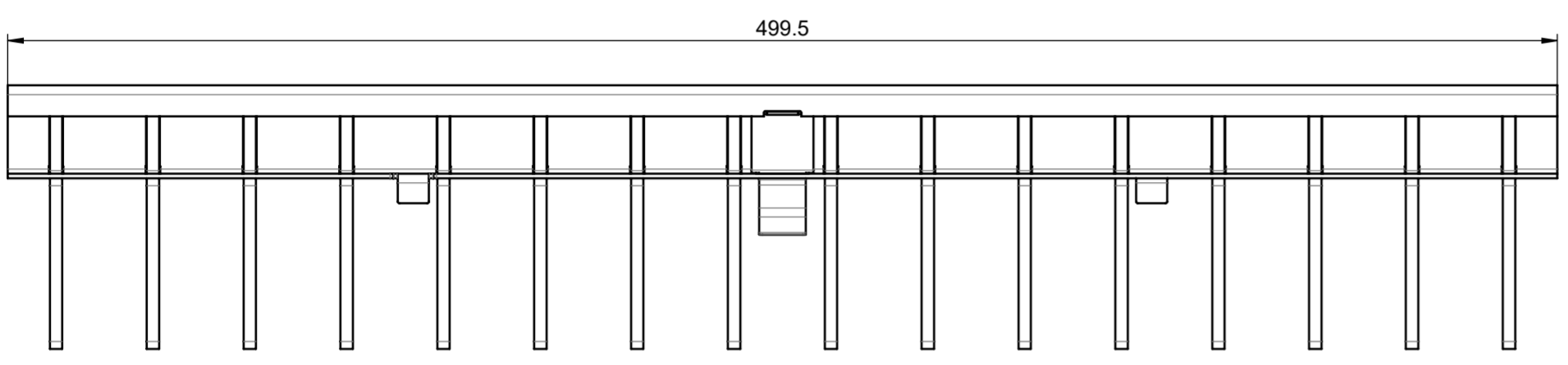
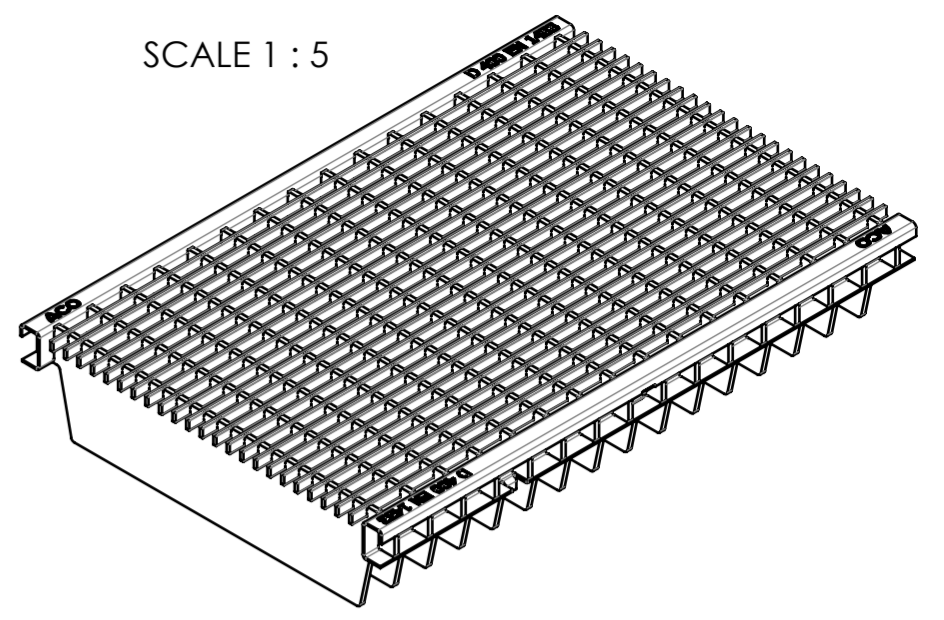


1 2 3 4 5 6 7 8 9 10 11 12

A
B
C
D
E
F
G
H

SCALE 1 : 5



local article number: 133676

	ACO Tiefbau Vertrieb GmbH 24755 Rendsburg, Postfach 320 Tel. 04331 / 354-500 Fax. 04331 / 354-358 www.aco.com	drawing-no.: 1073351-M	index: 003	documenttype: marketing drw.
	created by: rbhatia	reviewed by: rbhatia	projection: ISO-E	scale: 1:2

title:
ACO Multiline
ASM Q+ Mesh grating length 0.5m V300 D400, Galvanized Steel
ZB Q+ Maschenrost Laenge 0.5m V300 D400, Verzinkter Stahl

The reproduction, distribution and utilization of this document as well as the communication of its contents to others without express authorization is prohibited. Offenders will be held liable for the payment of damages. All rights reserved in the event of the grant of a patent, utility model or design. Observe copyright by ISO 16016

release date:
08-Jan-2019 13:32 sheet:
1/1

1 2 3 4 5 6 7 8 9 10 11 12