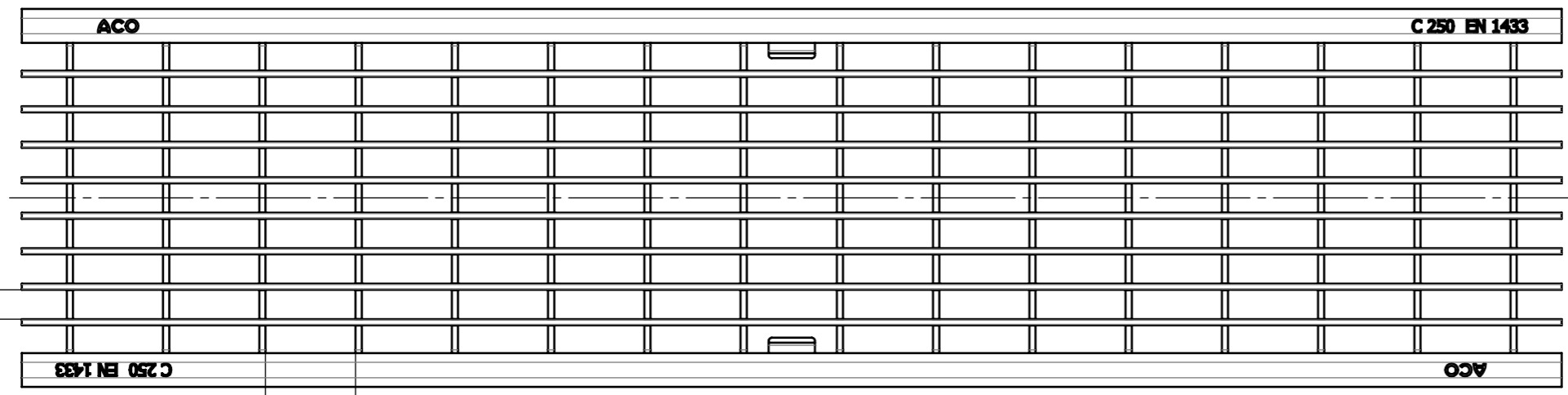
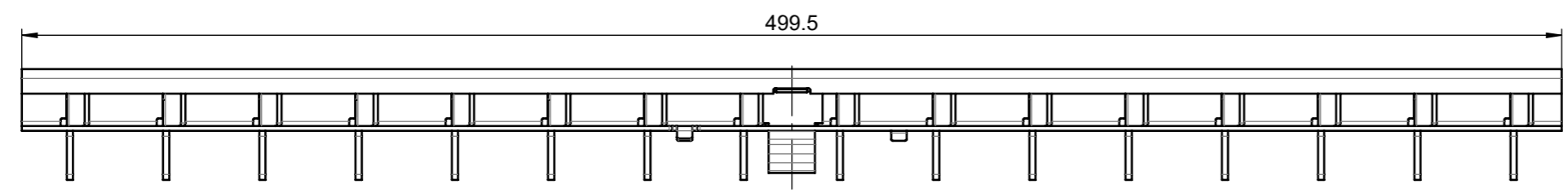
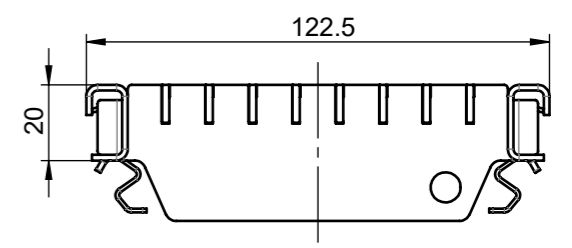
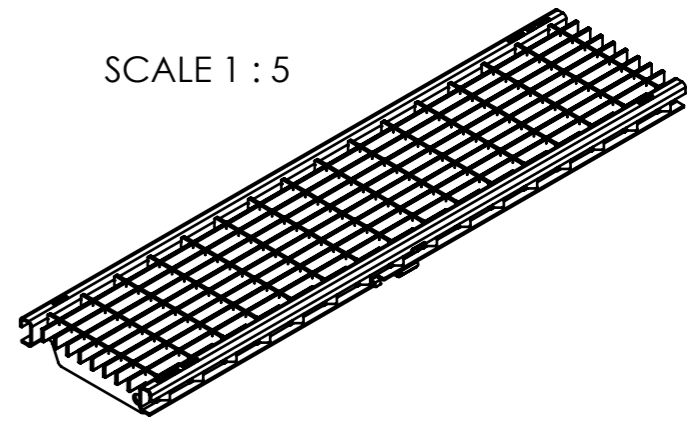

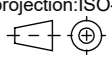


SCALE 1 : 5



material number: 2003478

local article number: 132881

 ACO Ahlmann SE & Co. KG Am Ahlmannkai 24782 Büdelsdorf www.aco.com	drawing-no.: 1009349-M	index: 002	documenttype: marketing drw.
	created by: rshetty	reviewed by: rshetty	projection:ISO-E 
title: ACO Multiline ASM Q+ Mesh grating 0,5m V100 C250, mesh size 31,22 x 11,5mm, galvanized steel ZB Q+ Maschenrost Laenge 0,5m V100 C250, Maschenteilung 31,22 x 11,5mm, verzinkter Stahl			serial-released
The reproduction, distribution and utilization of this document as well as the communication of its contents to others without express authorization is prohibited. Offenders will be held liable for the payment of damages. All rights reserved in the event of the grant of a patent, utility model or design. Observe copyright by ISO 16016			release date: 28.09.2022
			sheet: 1/1