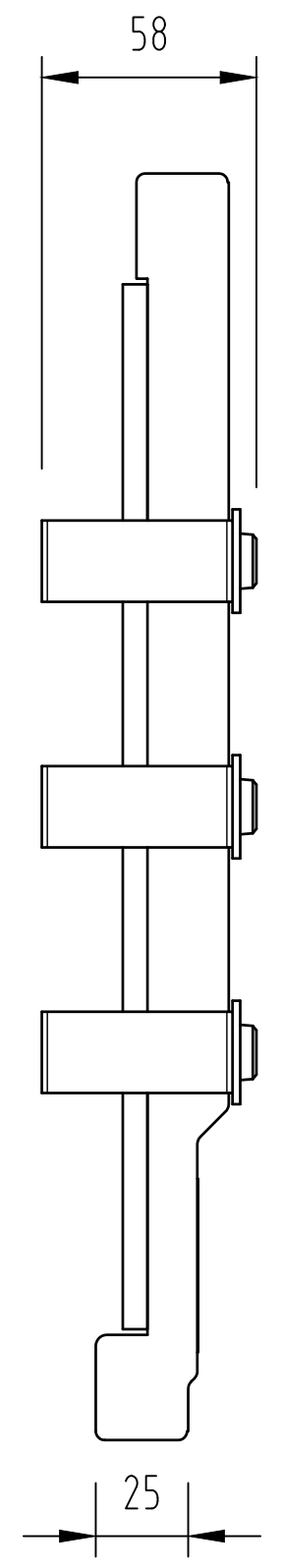
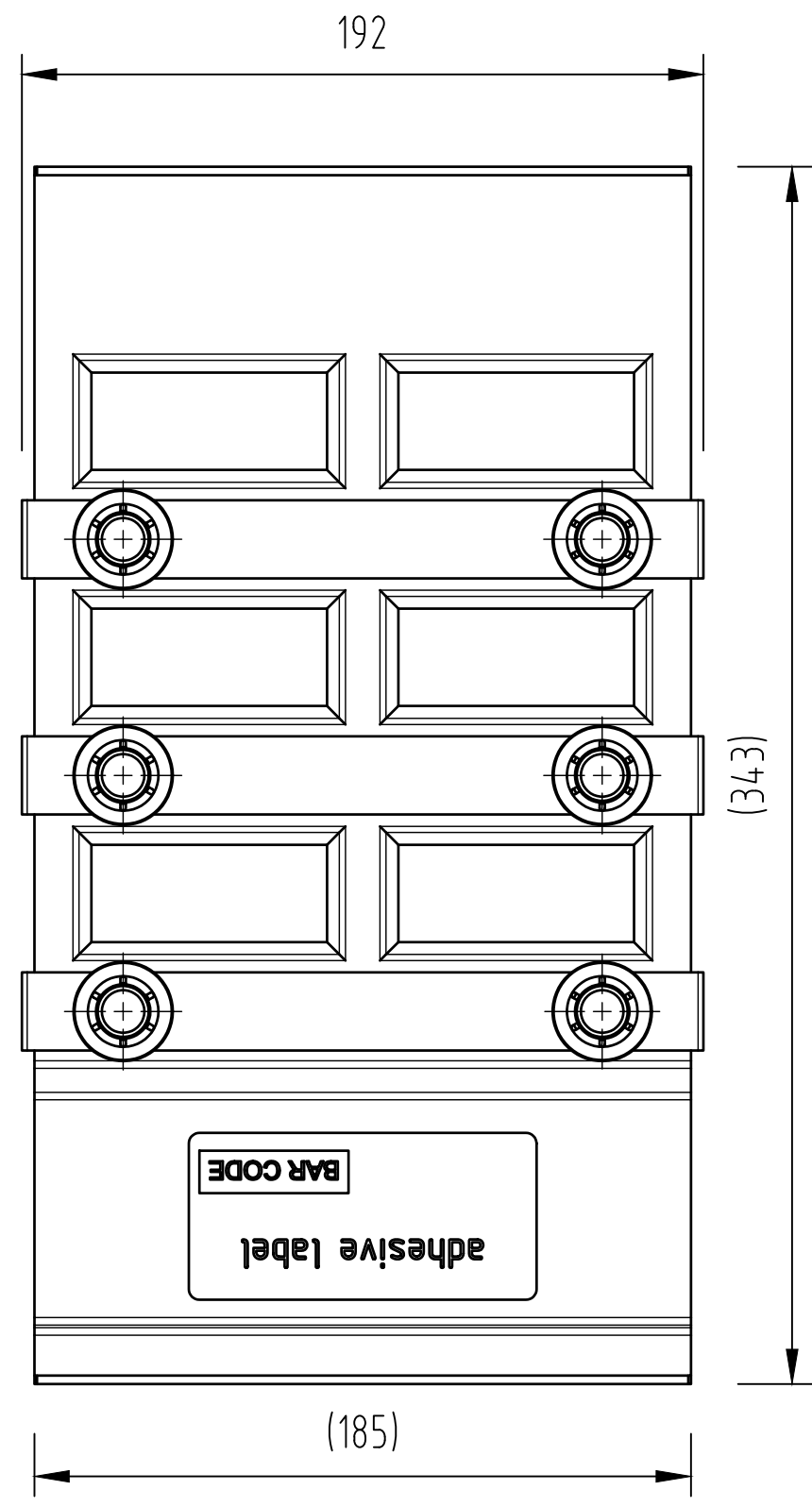
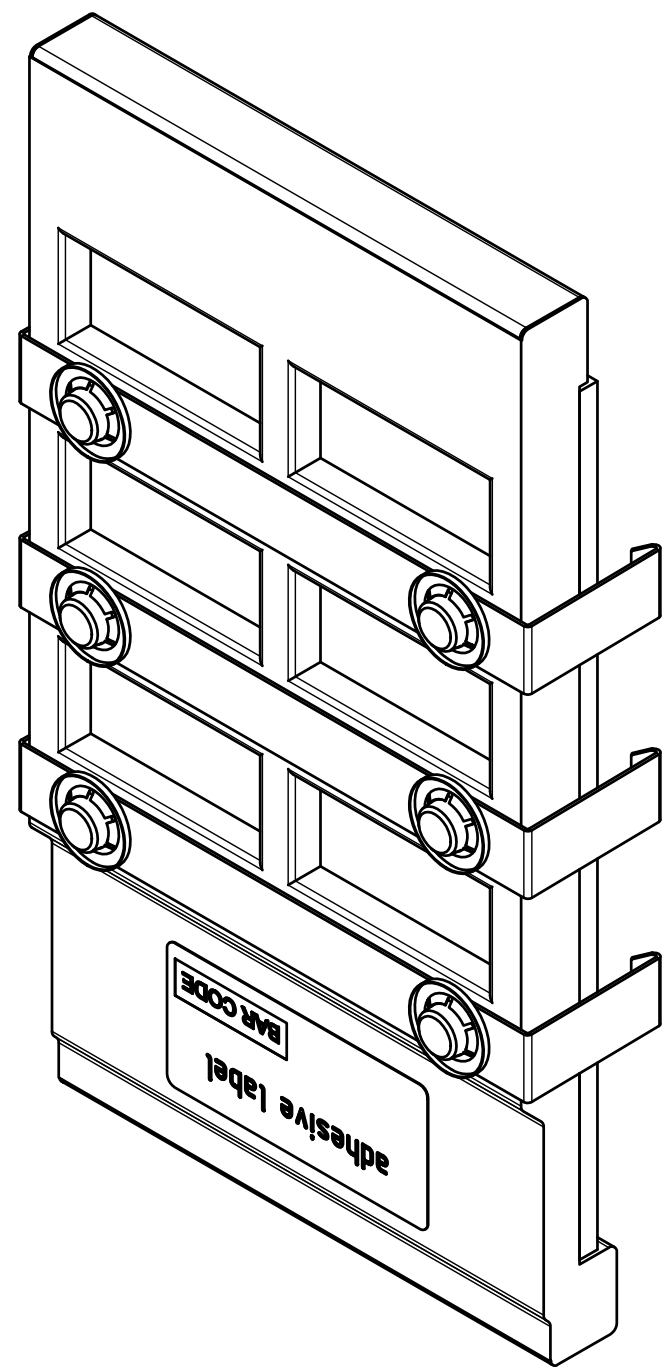


1 2 3 4 5 6 7 8

A  
B  
C  
D  
E  
F



local article number: 133485

ACO Tiefbau Vertrieb GmbH 24755 Rendsburg, Postfach 320 Tel. 04331 / 354-500 FAX 04331/ 354-358 www.aco-tiefbau.de	drawing-no: 1040046-M	index:	documenttype: marketing drw.
	created by:	reviewed by:	projection:ISO-E scale: 1:1
title: Multiline Seal in Endcap polymer concrete V150E - stainless steel Polymerbeton Kombistirnwand V150E - Edelstahl			release date:
The reproduction, distribution and utilization of this document as well as the communication of its contents to others without express authorization is prohibited. Offenders will be held liable for the payment of damages. All rights reserved in the event of the grant of a patent, utility model or design. Observe copyright by ISO 16016			sheet: 1/1

1 2 3 4 5 6 7 8