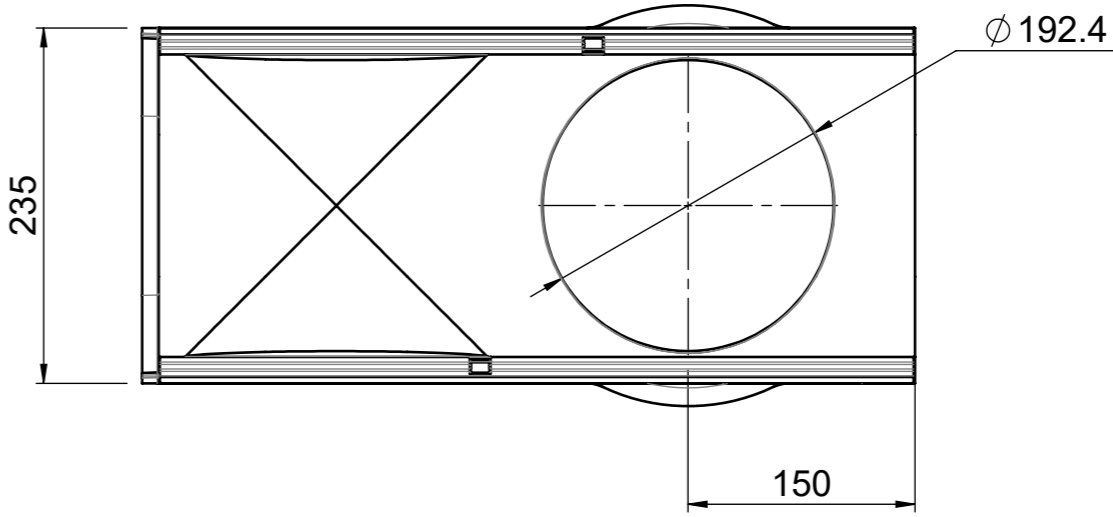
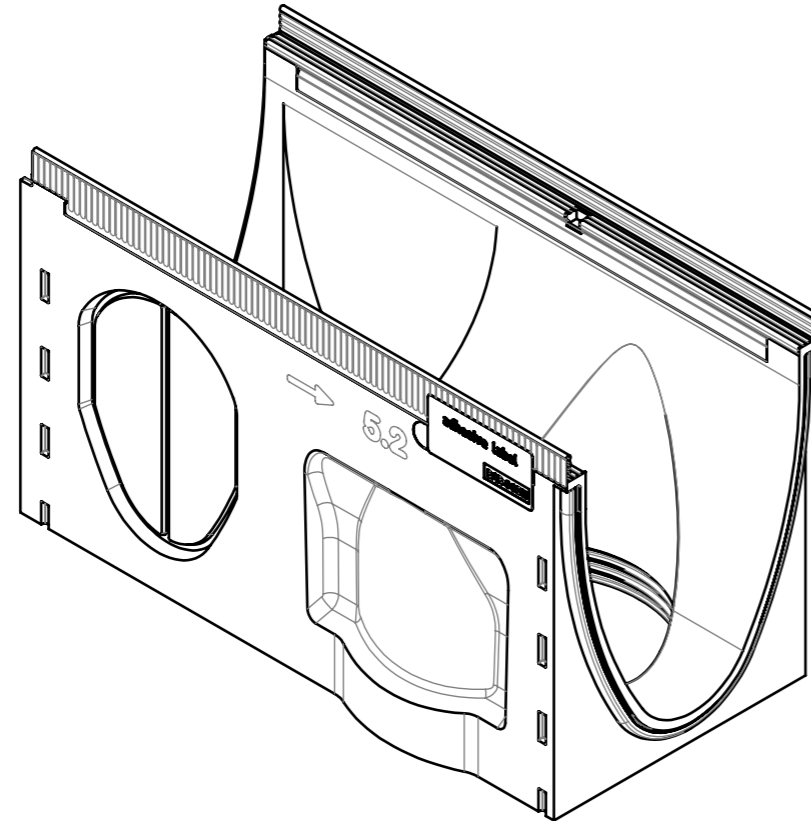
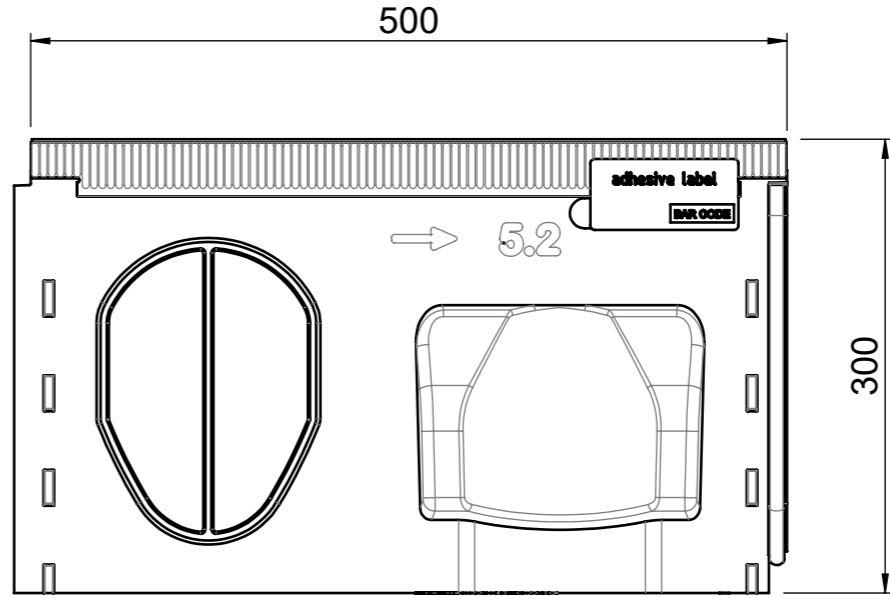
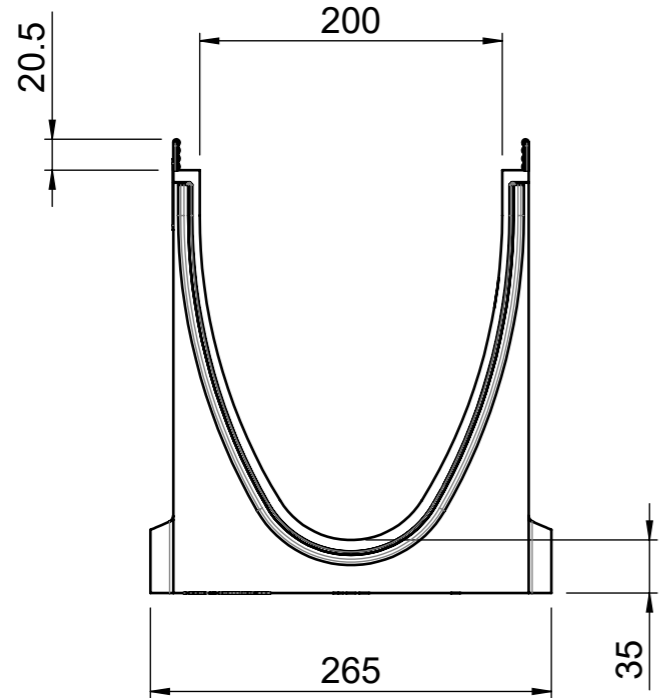



1 2 3 4 5 6 7 8

A
B
C
D
E
F

A
B
C
D
E
F



material number: 2003852
local article number: 133542

 ACO Ahlmann SE & Co. KG Am Ahlmannkai 24782 Büdelsdorf www.aco.com	drawing-no.: 1033407-M	index: 004	documenttype: marketing drw.
	created by: rkumar	reviewed by: smeier	projection: ISO-E 

title:
Multiline Seal in
Channel V200S 0,5m LLD 5.2 with galv. steel rail
Rinne V200S 0,5m LLD 5.2 mit verzinkter Stahlzarge

serial-released

The reproduction, distribution and utilization of this document as well as the communication of its contents to others without express authorization is prohibited. Offenders will be held liable for the payment of damages. All rights reserved in the event of the grant of a patent, utility model or design. Observe copyright by ISO 16016

release date: **07.02.2023** sheet: **1/1**

1 2 3 4 5 6 7 8

S:\projekte\2023\1033407-M-LLD-5.2-Verschnitt.dwg