
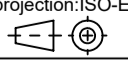


local article number: 446134

 ACO Severin Ahlmann GmbH & Co. KG 24755 Rimbörsburg, Postfach 300 Tel. +49 431 354-0 Email: development@aco.com www.aco.com	drawing-no.: 1052465-M	index: 003	documenttype: marketing drw.
	created by: rbhata	reviewed by: rbhata	projection: ISO-E 
title: ACO SlotTop SlotTop V200 H105 C250 single slot 10mm L1m, galvanized steel Schlitzrahmen V200 H105 C250 Einzelschlit 10mm L1m, verzinkter Stahl			release date: 26-Jun-2018 17:40
<small>The reproduction, distribution and utilization of this document as well as the communication of its contents to others without express authorization is prohibited. Offenders will be held liable for the payment of damages. All rights reserved in the event of a patent, utility model or design. Observe copyright by ISO 15016</small>			sheet: 1/1