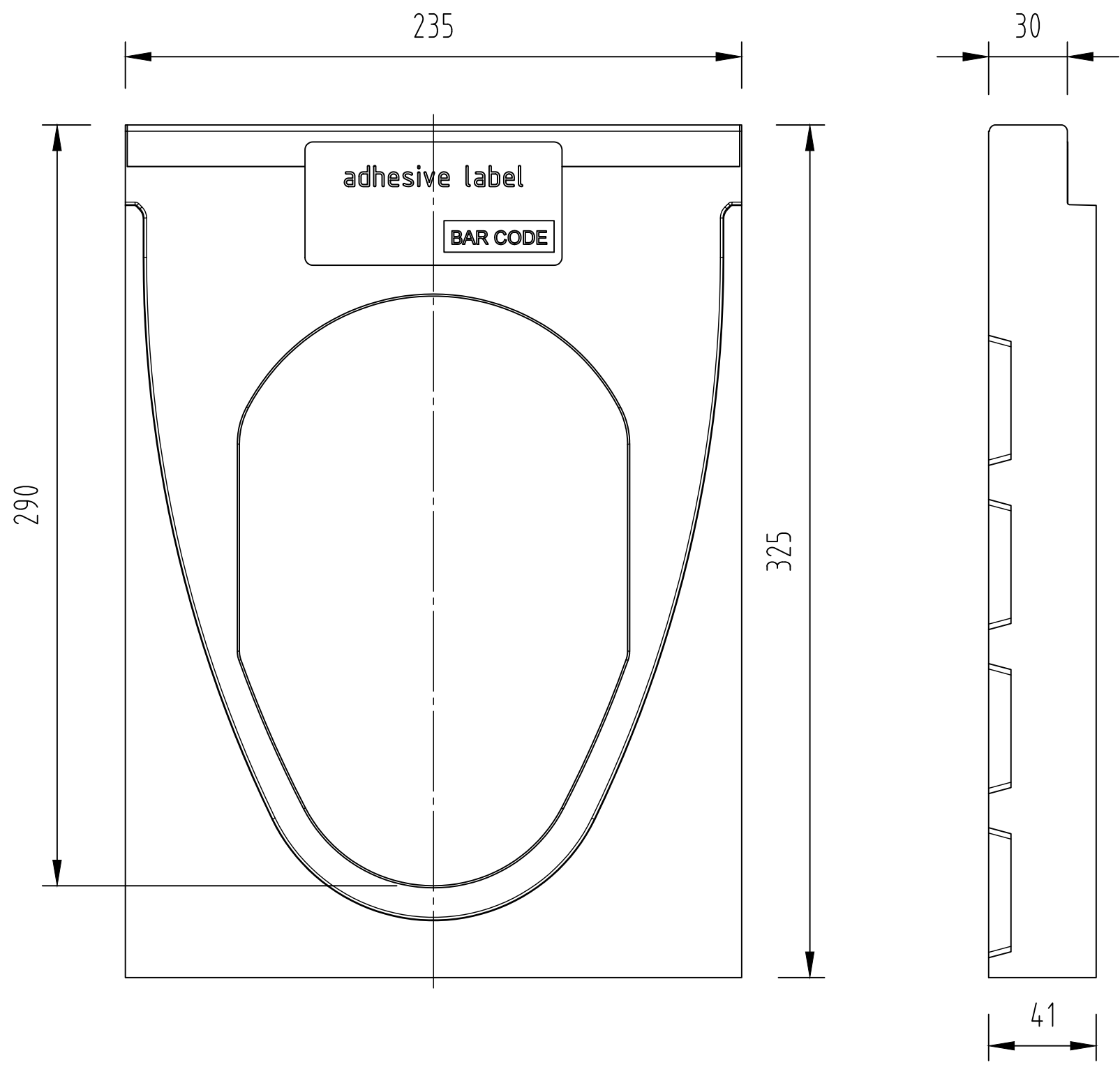
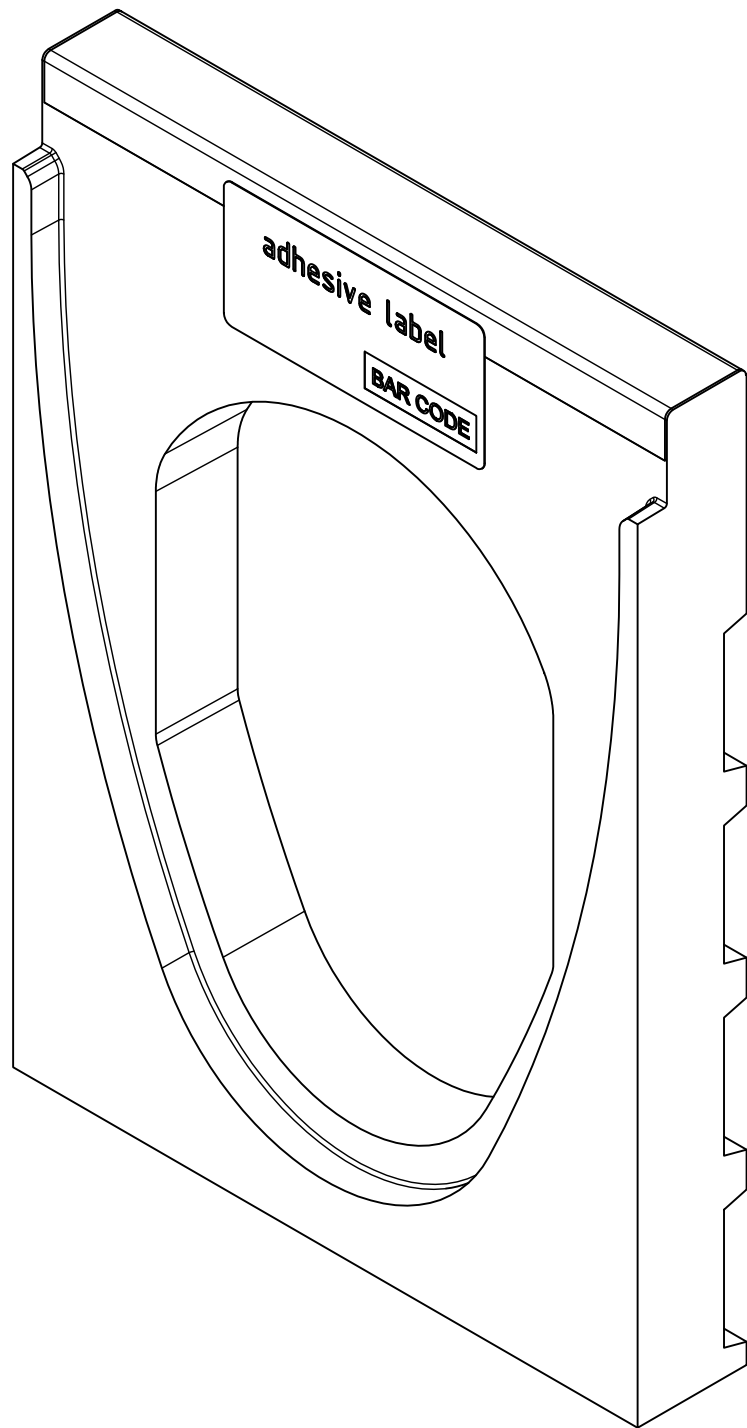


1 2 3 4 5 6 7 8

A B C D E F



local article number: 133559

ACO Tiefbau Vertrieb GmbH 24755 Rendsburg, Postfach 320 Tel. 04331 / 354-500 FAX 04331/ 354-358 www.aco-tiefbau.de	drawing-no: 1035924-M	index:	documenttype: marketing drw.
	created by:	reviewed by:	projection:ISO-E scale: 1:1
title: Multiline Seal in Corner and T- connection adapter V200S 10.0 with galv. steel rail Adapter Eck-T-Kreuz V200S 10.0 mit verzinkter Stahlzarge			
The reproduction, distribution and utilization of this document as well as the communication of its contents to others without express authorization is prohibited. Offenders will be held liable for the payment of damages. All rights reserved in the event of the grant of a patent, utility model or design. Disserve copyright by ISO 16016			release date: sheet: 1/1

1 2 3 4 5 6 7 8