

1

2

3

4

A

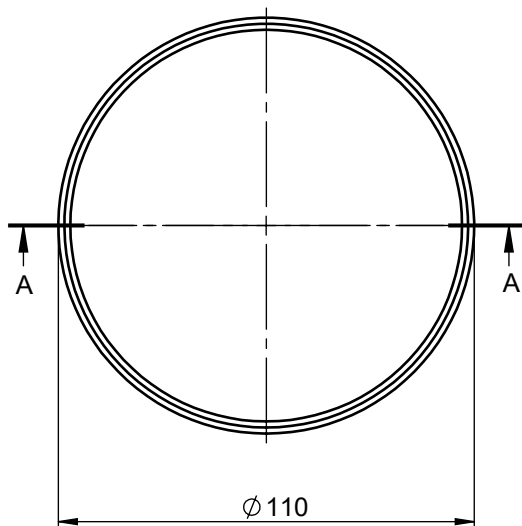
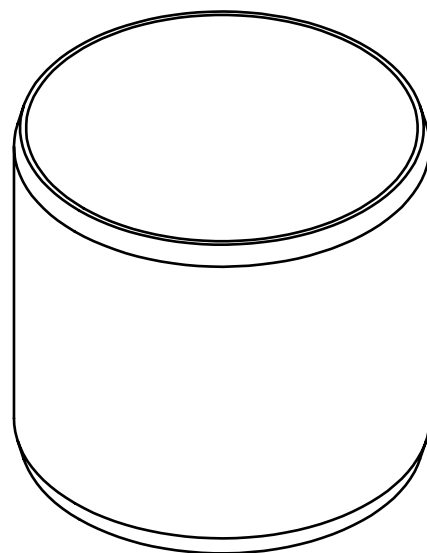
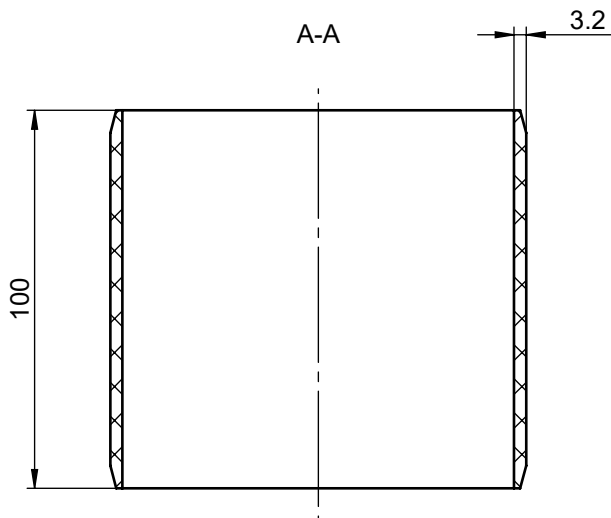
B

C

D

E

F



material number: 2000008
 local article number: 00056



ACO Hochbau Vertrieb
 GmbH
 Am Ahlmannkai
 24782 Büdelsdorf
 www.aco.com

created by:
vumasankar

drawing-no.:
1054482-M

reviewed by:
Isigell

index:
007

documenttype:
 marketing drw.

projection: ISO-E

scale:
1:2

title:

Pipeline elements
 PVC pipe DN110 H=100
 PVC Stutzen DN110 H=100

serial-released

The reproduction, distribution and utilization of this document as well as the communication of its contents to others without express authorization is prohibited. Offenders will be held liable for the payment of damages. All rights reserved in the event of the grant of a patent, utility model or design. Observe copyright by ISO 16016

release date:
31.03.2022

sheet:
1/1