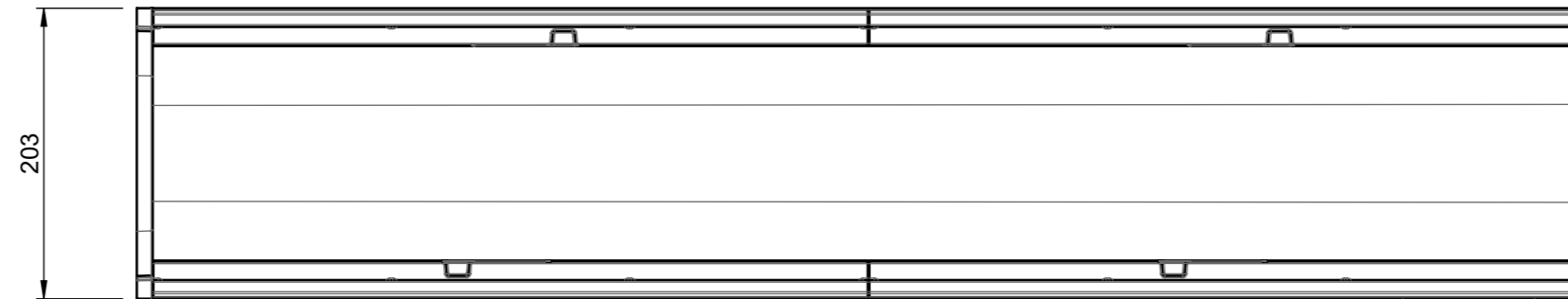
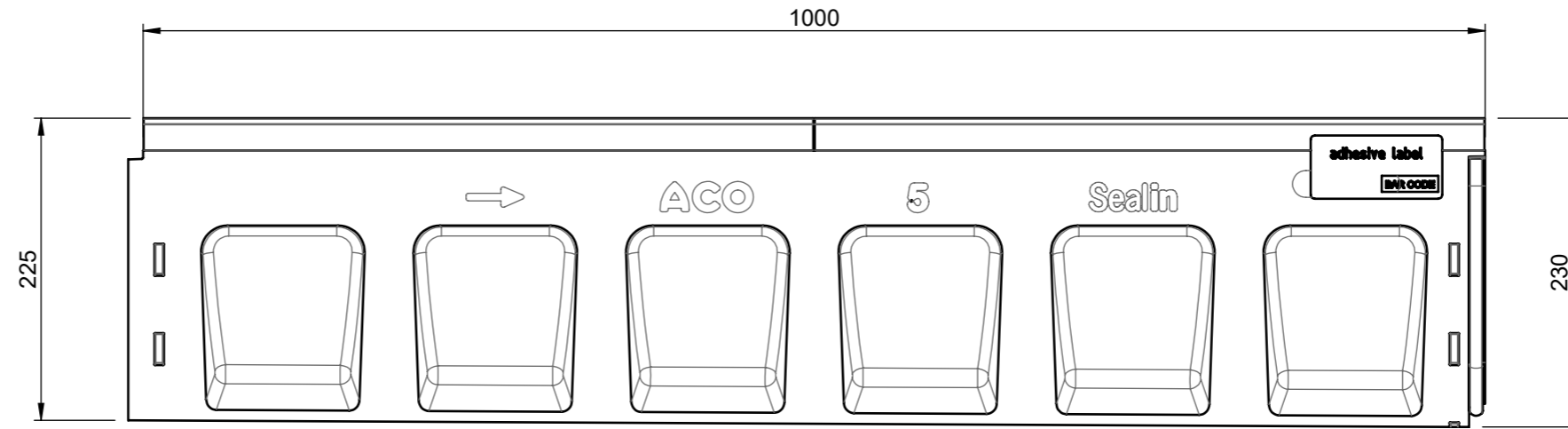
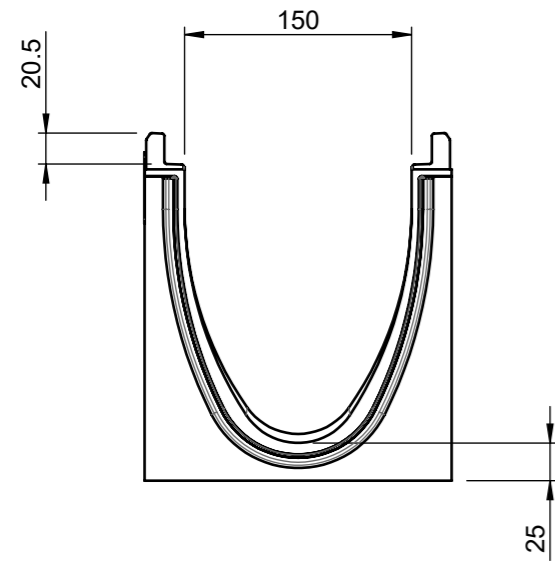
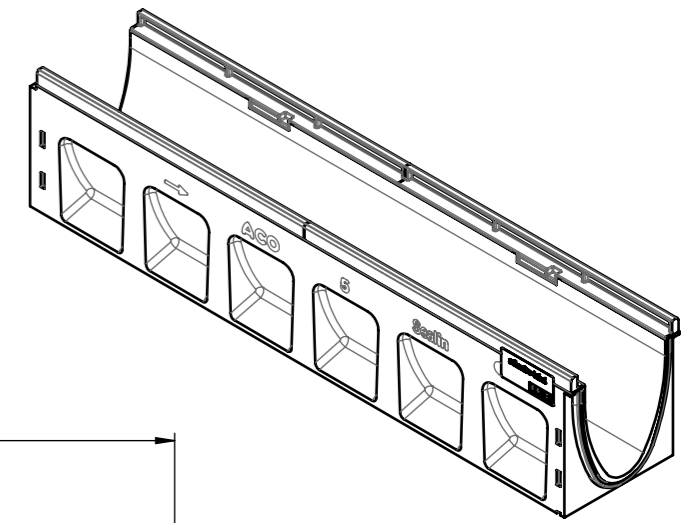

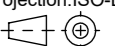


SCALE 1 : 10



material number: 3000762
local article number: 152205

 ACO Serverin Ahlmann GmbH & Co. KG Am Ahlmannkai 24782 Büdelsdorf www.aco.com	drawing-no.: 1045231-M	index: 003	documenttype: marketing drw.
	created by: rkumar	reviewed by: vshetty	projection: ISO-E  scale: 1:5
title: PowerDrain Slope Channel PowerDrain Seal in V150G 5 Gefällerinne PowerDrain Seal in V150G 5			serial-released
The reproduction, distribution and utilization of this document as well as the communication of its contents to others without express authorization is prohibited. Offenders will be held liable for the payment of damages. All rights reserved in the event of the grant of a patent, utility model or design. Observe copyright by ISO 16016			release date: 17.02.2022
			sheet: 1/1