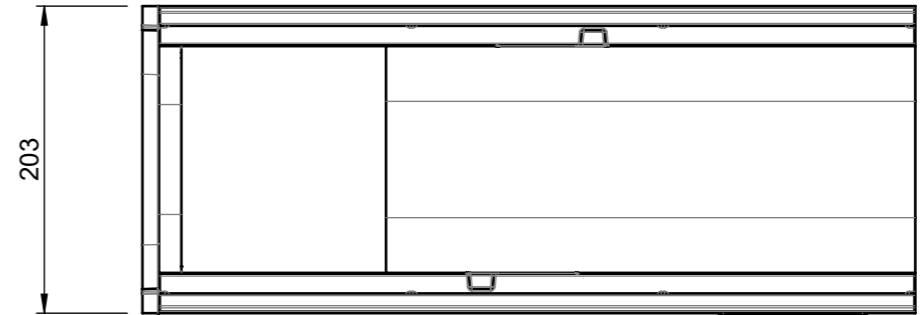
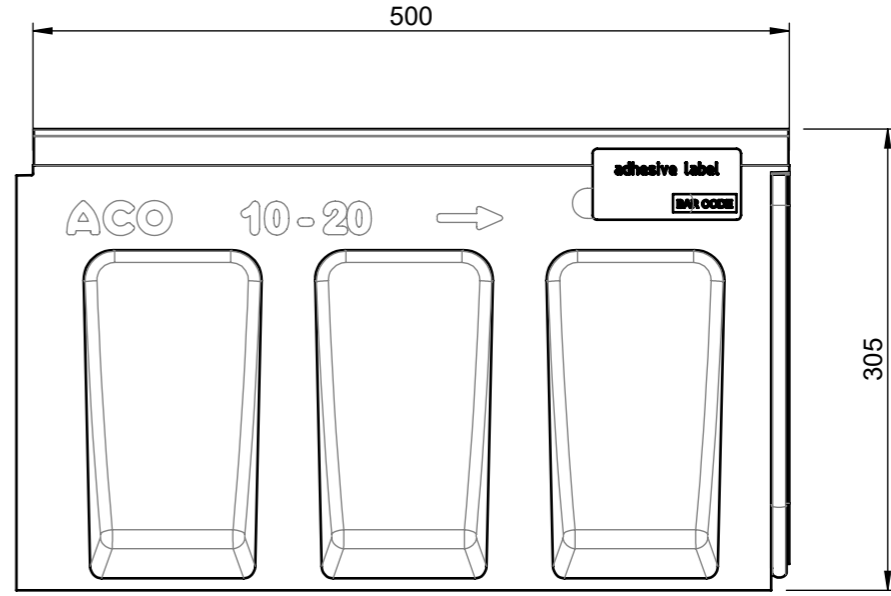
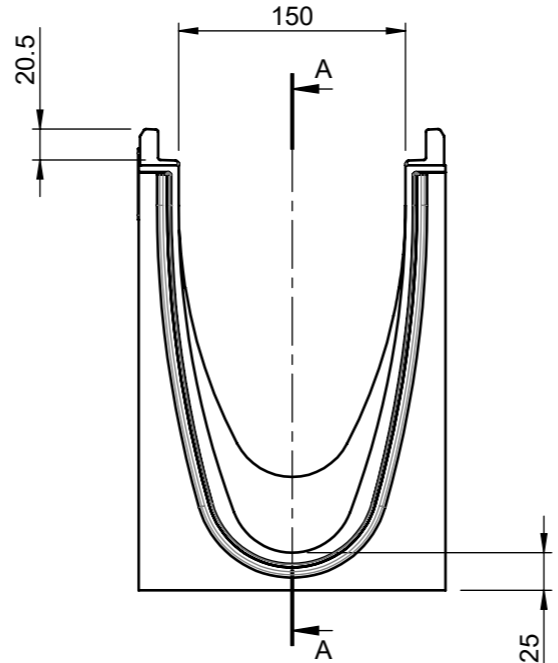
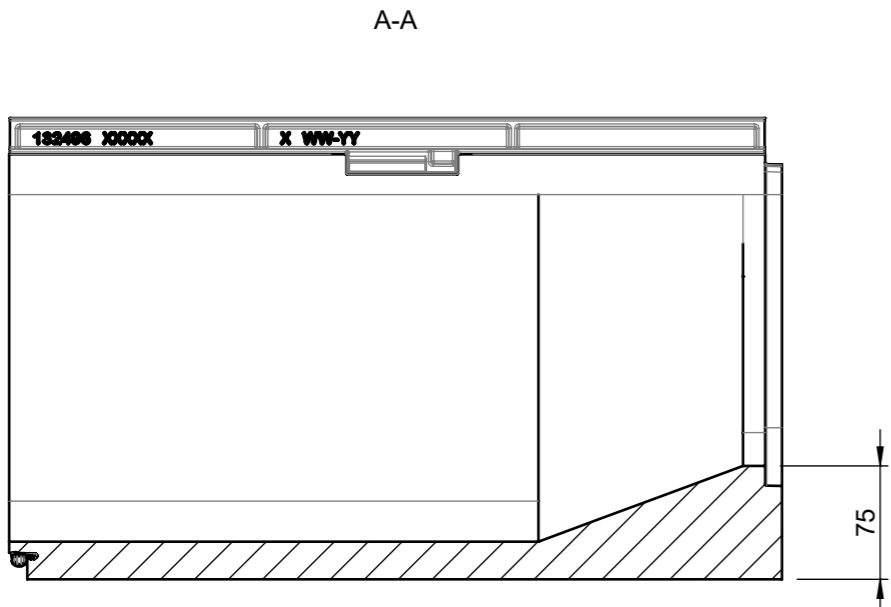
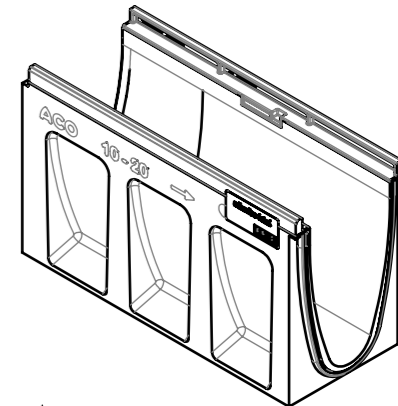

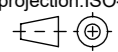


SCALE 1 : 10



material number: 3000728  
local article number: 152275

 ACO Ahlmann SE & Co. KG Am Ahlmannkai 24782 Büdelsdorf www.aco.com	drawing-no.: <b>1054779-M</b>	index: <b>004</b>	documenttype: marketing drw.
	created by: kmurthy	reviewed by: kmurthy	projection: ISO-E 
title: PowerDrain Step Adapter PowerDrain Seal in V150G 0,5m 10-20 with Cast Iron rail Adapter für Stufengefälle PowerDrain Seal in V150G 0,5m 10-20 mit Guss Zarge			serial-released
The reproduction, distribution and utilization of this document as well as the communication of its contents to others without express authorization is prohibited. Offenders will be held liable for the payment of damages. All rights reserved in the event of the grant of a patent, utility model or design. Observe copyright by ISO 16016			release date: 15.02.2022
			sheet: 1/1

S:\dokus\2019-DIN-A3-Versuch 17